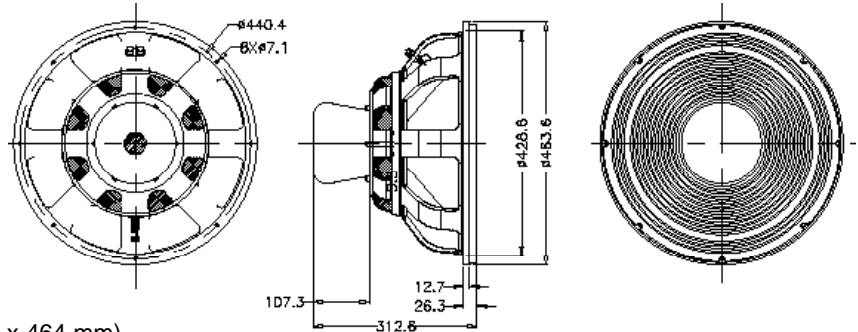


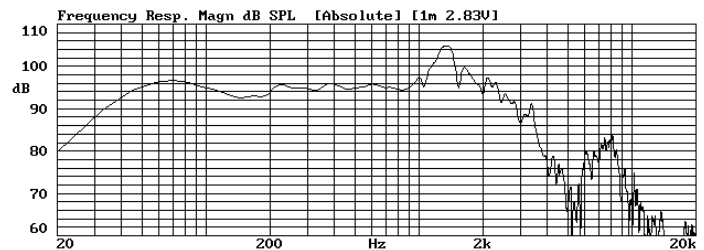
**18" Subwoofer**

- **High Power/High Output**
- **High Excursion**
- **NO Stray Magnetic Fields**

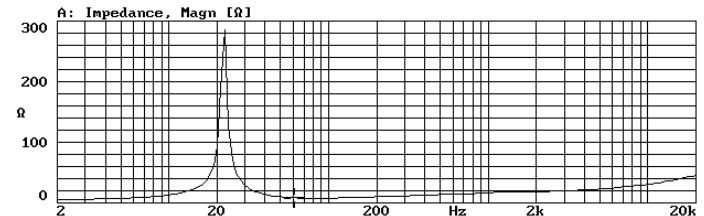


Nominal Diameter (Ø)	18 inches (464 x 464 mm)
Nominal Impedance (Z)	8 Ohms
Sensitivity, 1W/1m (E)	96 dB
Power Capacity, RMS (Pe)	800 W
Power Capacity, Peak	3200 W
Frequency Range (-10dB)	Fo - 2 kHz
Minimum Impedance	8 Ohms
Voice Coil Diameter (Ø)	99.1 mm
Voice Coil Winding Length (h)	25 mm
Voice Coil Number of Layers (n)	1
Voice Coil Former Material	Fiberglass
Voice Coil Wire Composition	Edgewound aluminum ribbon
Magnetic Material	Neodymium radial
Stray Flux Shielding	Inherent
Magnetic Gap Depth (He)	50 mm
Cone Material	Paper/fiberglass/epoxy
Surround Material	Polyester weave
Polarity, Outward Motion	Positive voltage on (+) terminal
Net Weight	13.5 kg (29.6 lb)

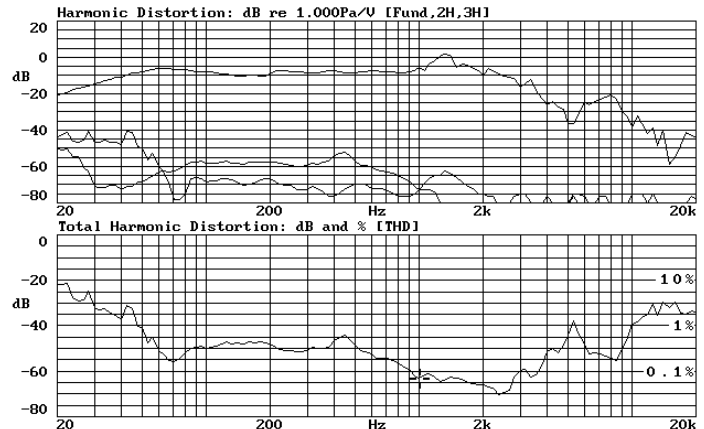
**Frequency Response (1W, 1m)**



**Impedance**



**Distortion (1W, 1m)**



**Thiele / Small Parameters**

Resonant Frequency (Fo) - Fs	25 Hertz
Voice Coil DC Resistance - Re	5.6 Ohms
Total Q - Qts	0.26
Mechanical Q - Qms	4.4
Electrical Q - Qes	0.28
Equivalent Volume of Air - Vas	475 L
Radiating Piston Area - Sd	0.124 m <sup>2</sup>
Linear Excursion - Xmax	18 mm

**Electrical / Mechanical Parameters**

Flux Density x Length - BL	24.5 Tesla-meters
Compliance - Cms	218 μm/N
Total Mass - Mms	186 grams